



ITEM #: _____ QTY: _____
 MODEL #: _____
 PROJECT NAME: _____

080717

3601 S. Banker St. Effingham, IL 62401 • P.O. BOX 609 • Ph: (888) 431-2667 • Fax: (800) 433-2667

"PBMS" PRO-BOWL MOP SINKS - STAINLESS STEEL 16GA
FLOOR MOUNTED W/ HEAVY DUTY FLAT DRAIN

FEATURES:

- FLOOR MOUNTED UNIT ELIMINATES THE NEED OF LIFTING HEAVY CONTAINERS
- TILE EDGE ON REAR OF SINK
- MARINE EDGE ALL AROUND
- RECTANGULAR BOWL FOR INCREASED CAPACITY WITH LARGE 3/4" RADIUS CORNERS
- STAINLESS STEEL APRON ON FRONT AND SIDES FOR EASE OF CLEANING



PBMS-2016-6

CONSTRUCTION:

- ALL TIG WELDED, EXPOSED WELDS ARE POLISHED TO MATCH ADJACENT SURFACE

MATERIAL:

- 16 GAUGE TYPE 300 STAINLESS STEEL



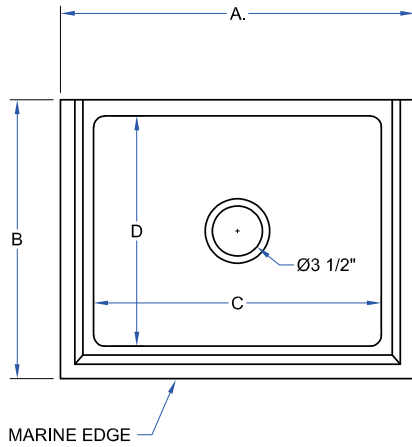
PBMS-2820-12

PRO-BOWL MOP SINKS - STAINLESS STEEL 16GA

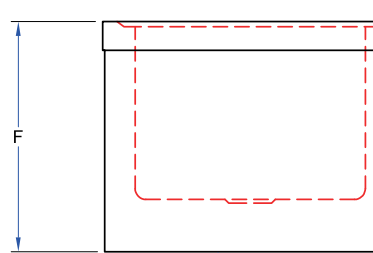
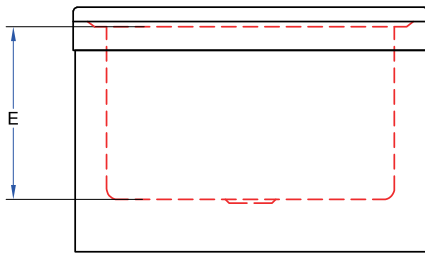
MODEL #	QTY
PBMS2016-6	
PBMS2016-12	
PBMS2820-6	
PBMS2820-12	
PBMS2424-12	

DETAILED SPECIFICATIONS

DIMENSIONS



MODEL	A	B	C	D	E	F
PBMS2016-6	24-5/8	19-3/8	20	16	6	10
PBMS2016-12	24-5/8	19-3/8	20	16	12	16
PBMS2820-6	32-5/8	23-1/8	28	20	6	10
PBMS2820-12	32-5/8	23-1/8	28	20	12	16
PBMS2424-12	28-5/8	27-3/8	24	24	12	16



3 SIDED SKIRT OPEN IN BACK.
1" FLANGE ON BOTTOM.

ECONOMY MOP SINKS - STAINLESS STEEL 16GA

MODEL #	DRAIN SIZE	WATER LEVEL	BOWL SIZE	DIMENSIONS (L X W)	WT. (LBS)
PBMS2016-6	3-1/2"	6"	20" X 16"	24-5/8" X 19-3/8"	35
PBMS2016-12	3-1/2"	12"	20" X 16"	24-5/8" X 19-3/8"	45
PBMS2820-6	3-1/2"	6"	28" X 20"	32-5/8" X 23-1/8"	50
PBMS2820-12	3-1/2"	12"	28" X 20"	32-5/8" X 23-1/8"	70
PBMS2424-12	3-1/2"	12"	24" X 24"	28-5/8" X 27-3/8"	70

SOME UNITS SHIP UNASSEMBLED FOR REDUCED SHIPPING COST. ALL DIMENSIONS ARE TYPICAL. TOLERANCE +/- .500"

John Boos & Co. is constantly engaged in a program of improving products and therefore reserves the right to change specifications without prior notice.



3601 S. Banker St. • Effingham, IL 62401 • PO BOX 609 • quotes@johnboos.com

080717

Boos
locks

AQ AutoQuotes

www.johnboos.com

575